

PENTA - REUSABLE MULTI-THICKNESS SPACER



INDEX

1. Code Registry

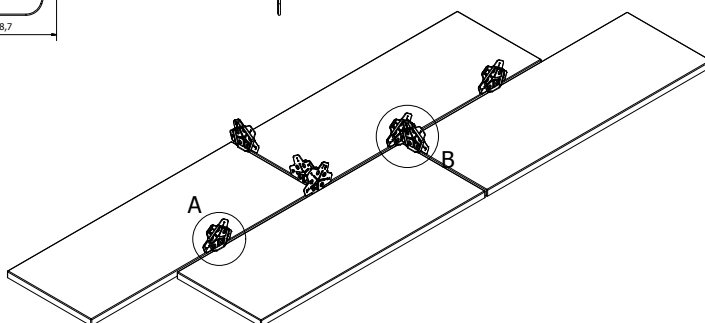
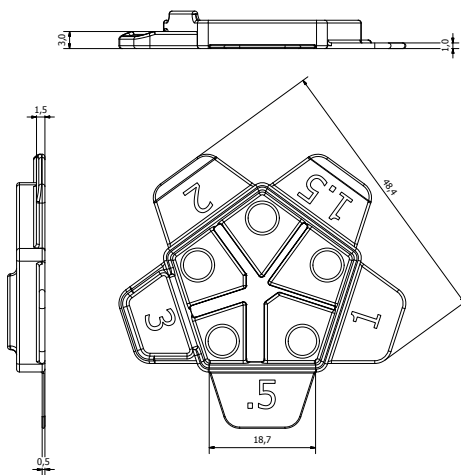
2. Use

3. Technical Specification

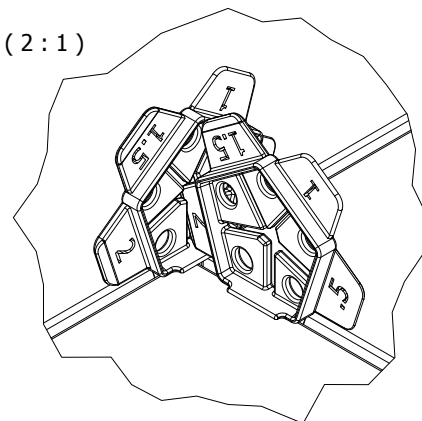
1. CODE REGISTRY

Code	Description	Dimension (mm)	Weight	Colour	Pkg. / Pallet
TER04-4405	Penta - Reusable multi-thickness spacer - 200 pz.	0.5 - 1 - 1.5 - 2- 3	450 gr./bag	Blue	20 bags / 15 box
TER04-4406	Penta - Reusable multi-thickness spacer - 600 pz.	0.5 - 1 - 1.5 - 2- 3	1,60 kg/box	Blue	1 box / 80 box

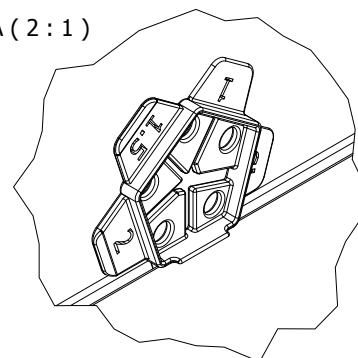
MATERIAL: Made of P.P. (polypropylene).



B (2 : 1)



A (2 : 1)



PENTA - REUSABLE MULTI-THICKNESS SPACER



2. USE

Used as a spacer for laying both floor and wall tiles.

3. TECHNICAL SPECIFICATION

Specification	Description	Unity	Price
Dak.I.TER.04.440x	Product for installation of the reusable multi-thickness grout spacing for tiles. With a single product it is possible to install tiles with a spacer of 0.5, 1, 1.5, 2, 3 mm. Penta is: <ul style="list-style-type: none"> • The new generation of Tile Spacer studied according the UNI 11493-1 Standard (Methodology for the correct installation of ceramic tiles). • Designed to guarantee of different grout spacing thickness (from 0.5 to 3 mm). • Marked to make easily visible each of the 5 sides of the product to which different thicknesses correspond. • Made in order to be used both on the floor and on the wall. • Packaged in boxes of 600 pcs and / or in envelopes of 200 pcs (boxes of 20 envelopes). Made of PP (polypropylene). Used as a spacer for laying both floor and wall tiles.		
Dak.I.TER.04.4405	Bags of 200 pcs.....	box	-
Dak.I.TER.04.4406	Boxes of 600 pcs.....	box	-