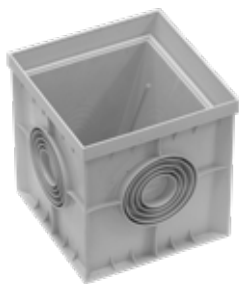


# STANDARD CATCH-PIT



## INDEX

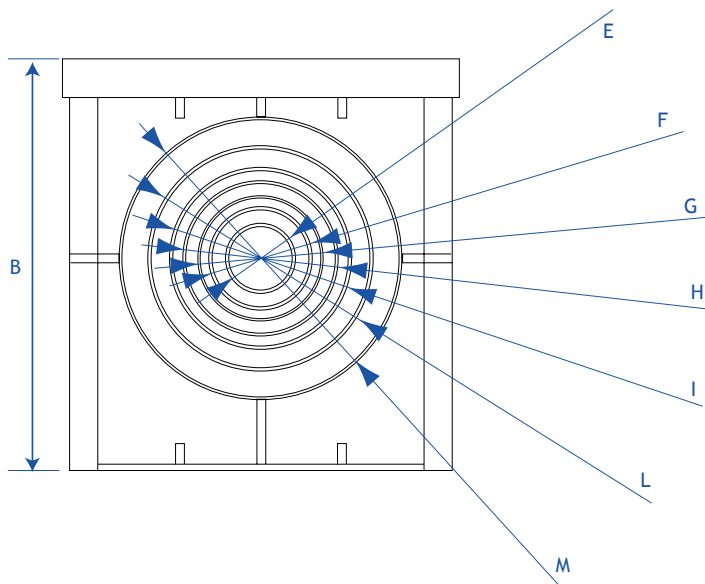
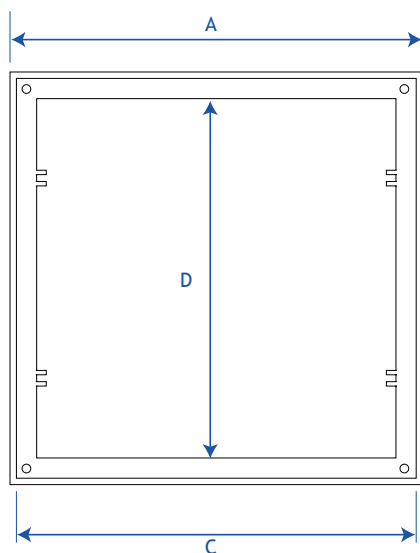
1. Code registry
2. Use
3. Technical specification

## 1. CODE REGISTRY

Code	Description	Dimensions (mm)	Weight	Colour	Pkg. / Pallet
POZ01-1372E	Catch-Pit Standard	200 x 200	0,495 kg/pc.	Grey	1 pc. / 180 pcs
POZ01-1373E	Catch-Pit Standard	300 x 300	1,390 kg/pc.	Grey	1 pc. / 64 pcs

### MATERIAL

Made of PP (polypropylene).



	A	B	C	D	E	F	G	H	I	WEIGHT KG
POZ01-1372E	193	200	188	162	63	80	100			0,495
POZ01-1373E	292	296	286	252		80	100	125	140	1,390

# STANDARD CATCH-PIT

## 2. USE

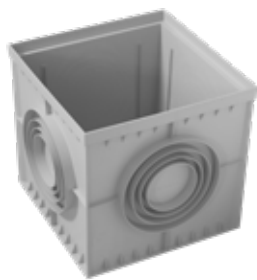
It is used as an alternative to traditional concrete manholes.



## 3. TECHNICAL SPECIFICATION

Specification	Description	Unity	Price
<b>Dak.D.POZ01.137xE</b>	Supply and installation of catch-pit monolithic standard. It is available in 2 sizes, from 200 x 200 and 300 x 300 mm, grey colour. Main characteristics: · Light weight for easy transport, positioning and installation, even by a single person; · High resistance, thanks to the reinforcements and ribs on the sides; · Pipes of every sizes can easily fit thanks to the special precutted concentric shape of the holes on the sides. Compatible with relative PP catch-pit cover. Made of PP (polypropylene). It is used as an alternative to traditional concrete manholes.		
<b>Dak.D.POZ01.1372E</b>	Dimension 200 x 200 mm.....	pc.	-
<b>Dak.D.POZ01.1373E</b>	Dimension 300 x 300 mm.....	pc.	-

# CATCH-PIT PLUS AND SEVENTY



## INDEX

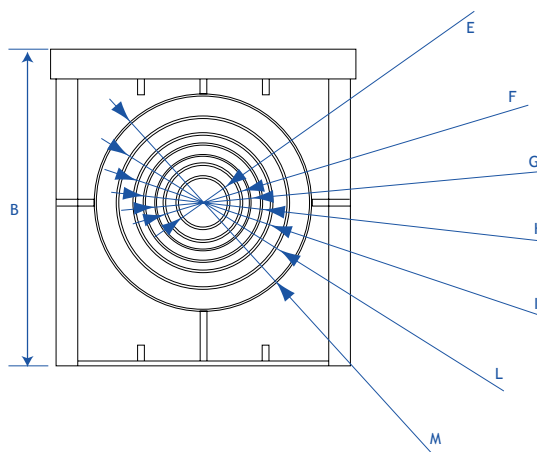
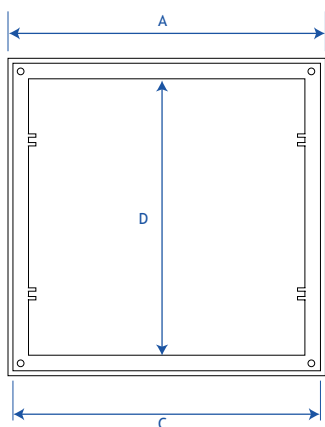
1. Code registry
2. Use
3. Technical specification

## 1. CODE REGISTRY

Code	Description	Dimensions (mm)	Weight	Colour	Pkg. / Pallet
POZ01-1372	Catch-Pit Plus	200 x 200	0,700 kg/pc.	Grey	1 pc. / 150 pcs
POZ01-1372S	Catch-Pit Plus - Export version	200 x 200	1,103 kg/pc.	Grey	1 pc. / 240 pcs
POZ01-1372B	Catch-Pit Plus	250 x 250	1,200 kg/pc.	Grey	1 pc. / 160 pcs
POZ01-1373	Catch-Pit Plus	300 x 300	1,630 kg/pc.	Grey	1 pc. / 48 pcs
POZ01-1373S	Catch-Pit Plus - Export version	300 x 300	2,180 kg/pc.	Grey	1 pc. / 96 pcs
POZ01-1374	Catch-Pit Plus	400 x 400	3,000 kg/pc.	Grey	1 pc. / 27 pcs
POZ01-1374S	Catch-Pit Plus - Export version	400 x 400	4,050 kg/pc.	Grey	1 pc. / 36 pcs
POZ01-1371	Catch-Pit Plus	550 x 550	8,300 kg/pc.	Grey	1 pc. / 20 pcs
POZ01-1370	Catch-Pit Seventy	700 x 700	16,200 kg/pc.	Grey	1 pc. / 8 pcs

### MATERIAL

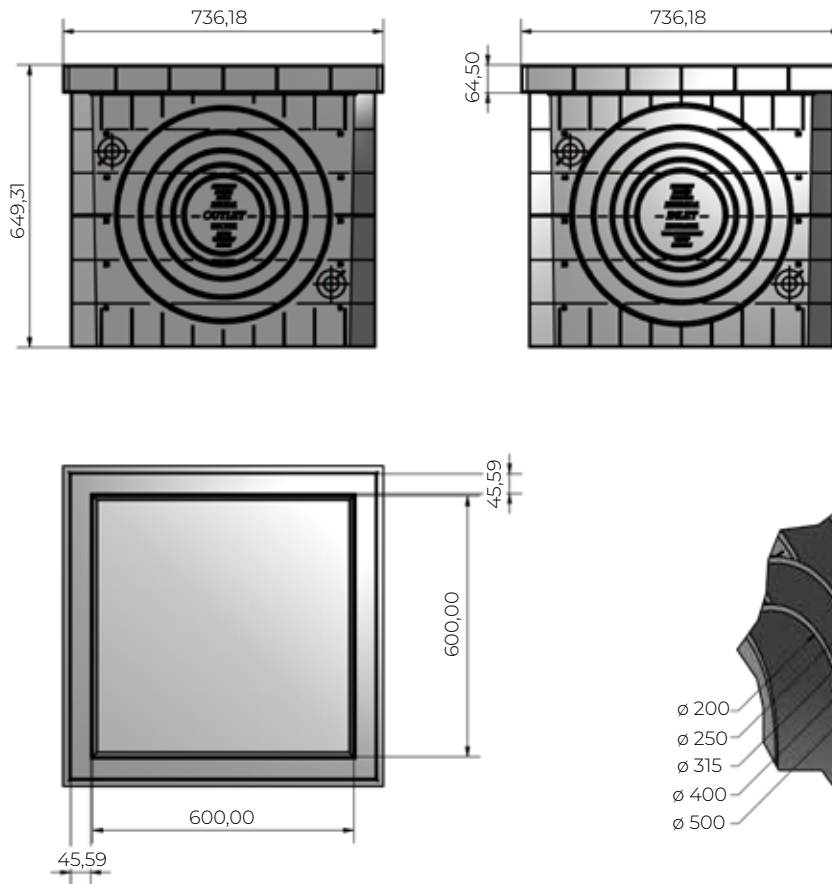
Made of PP (polypropylene).



	A	B	C	D	E	F	G	H	I	L	M	N	WEIGHT KG
POZ01-1372	193	200	188	162				63	80	100	125		0,700
POZ01-1372S	193	200	188	162			50	70	90	110	125		1,103
POZ01-1372B	243	249	248	236				63	80	100	125		1,060
POZ01-1373	292	296	286	252			63	80	100	125	140		1,630
POZ01-1373S	292	296	286	252			75	90	110	125	140		2,180
POZ01-1374	395	398	387	354	63	80	100	125	140	160	200		3,000
POZ01-1374S	395	398	387	354	75	90	110	125	140	160	200	250	4,245
POZ01-1371	542	521	532	499					160	200	250	315	8,300

# CATCH-PIT PLUS AND SEVENTY

**POZ01-1370**



## 2. USE

It is used as an alternative to traditional concrete manholes.



# CATCH-PIT PLUS AND SEVENTY

## 3. TECHNICAL SPECIFICATION

Specification	Description	Unity	Price
<b>Dak.D.POZ01.137x</b>	<p>Supply and installation of cubic catch-pit is available in various sizes, from 200 x 200 to 700 x 700 mm, grey colour.</p> <p>Main characteristics:</p> <ul style="list-style-type: none"> <li>· Light weight for easy transport, positioning and installation, even by a single person;</li> <li>· High resistance, thanks to the reinforcements and ribs on the sides;</li> <li>· Pipes of every sizes can easily fit thanks to the special pre-cutted concentric shape of the side holes.</li> </ul> <p>Compatible with relative PP catch-pit cover and grating.</p> <p>The export versions of the catch-pit (200 x 200, 300 x 300 and 400 x 400 mm) are characterized by different inlet diameters (90/110 mm).</p> <p>The 250 x 250, 550 x 550 and 700 x 700 versions are universal.</p> <p>Made of PP (polypropylene).</p> <p>It is used as an alternative to traditional concrete manholes.</p>		
<b>Dak.D.POZ01.1372</b>	Dimension 200 x 200 mm.....	pc.	-
<b>Dak.D.POZ01.1372S</b>	Dimension 200 x 200 mm.....	pc.	-
<b>Dak.D.POZ01.1372B</b>	Dimension 250 x 250 mm.....	pc.	-
<b>Dak.D.POZ01.1373</b>	Dimension 300 x 300 mm.....	pc.	-
<b>Dak.D.POZ01.1373S</b>	Dimension 300 x 300 mm.....	pc.	-
<b>Dak.D.POZ01.1374</b>	Dimension 400 x 400 mm.....	pc.	-
<b>Dak.D.POZ01.1374S</b>	Dimension 400 x 400 mm.....	pc.	-
<b>Dak.D.POZ01.1371</b>	Dimension 550 x 550 mm.....	pc.	-
<b>Dak.D.POZ01.1370</b>	Dimension 700 x 700 mm.....	pc.	-